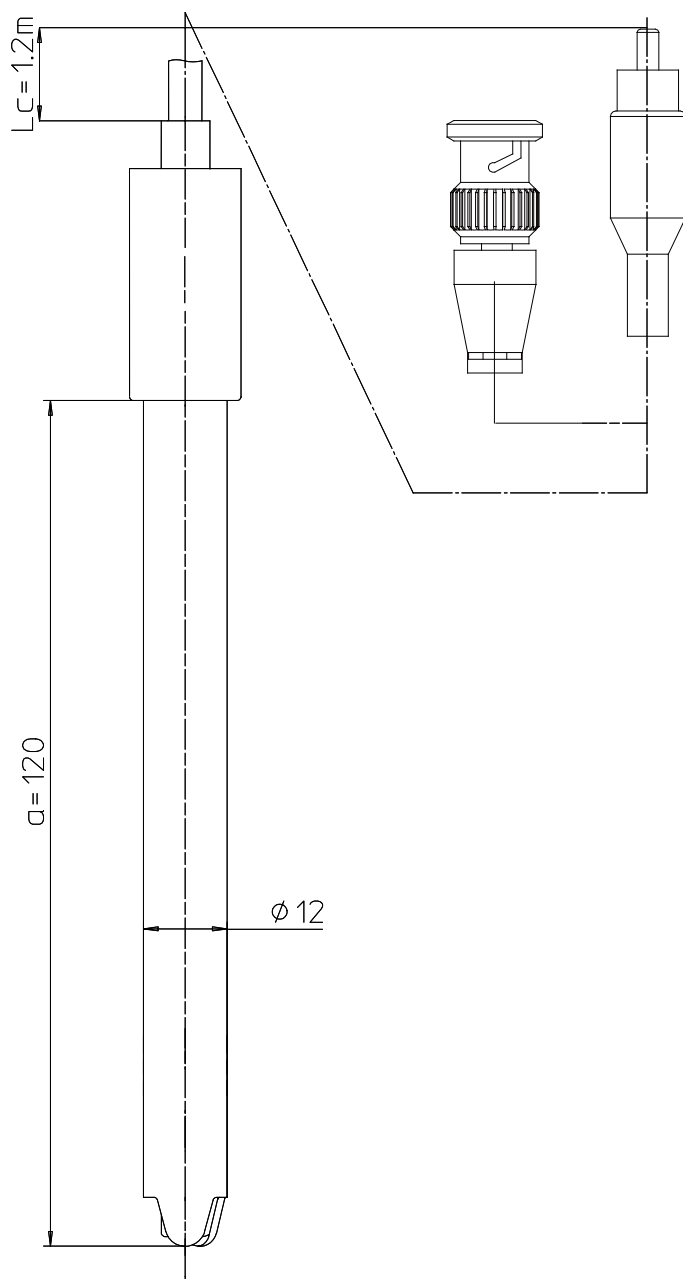


LE438**(3-in-1)****pH****Order number** 51340242

former order number -

Specifications

pH range 0 - 14

zero point (pH) 7.00 ± 0.25

temperature range 0 - 80 °C

temperature probe NTC 30 kΩ

shaft material POM

membrane glass U

membrane resistance < 250 MΩ

reference system Ag / AgCl

reference diaphragm Nylon

reference electrolyte Gel

bridge electrolyte -

electrode head -

cable length 1.2 m

connector BNC / Cinch

cell constant (cm⁻¹) -

cell type -

indicating metal -

Storage 3 mol/L KCl**Special features**

Unbreakable, chemically resistant POM shaft

Integrated NTC 30 kΩ temperature probe

Scale 1:1